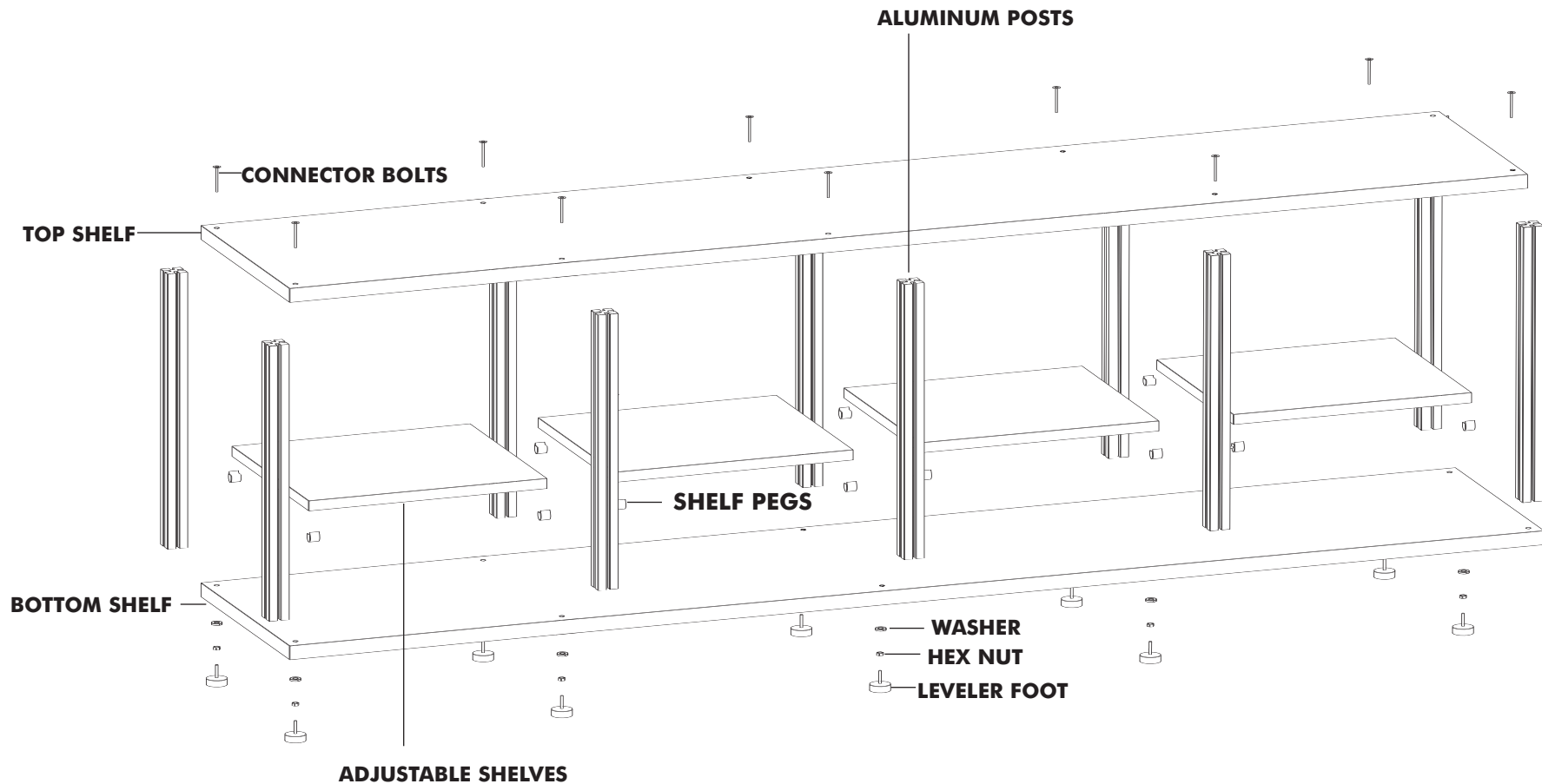


SYNERGY QUAD UNIT - SQ20 / SQ30



WARNING: If you are installing accessories such as doors or drawers to the base unit, read all instructions for the accessory and install in conjunction with these instructions.



Parts

10 - Aluminum Posts

Adjustable Shelf (SQ20 -4) • (SQ30 - 8)

1 - Top Shelf

1 - Spacer Tool

1 - Bottom Shelf

4 - Rear Panels

Rear Panel Hardware

1x (400-070) - 1/8" Hex Key

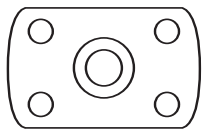


16x



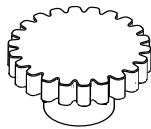
(300-510) - Stud

16x



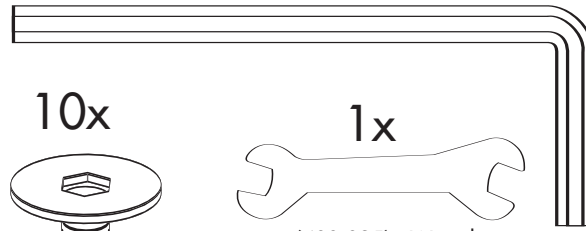
(300-560) - Flat Nut

16x

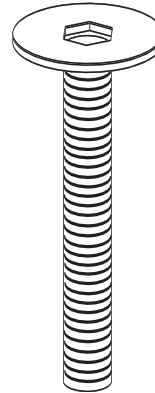


(300-530) - ThumbNut

1x (400-060) - 3/16" Hex Key

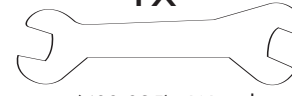


10x



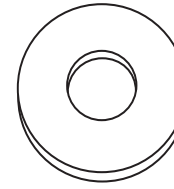
(300-540)
Connector Bolt

1x



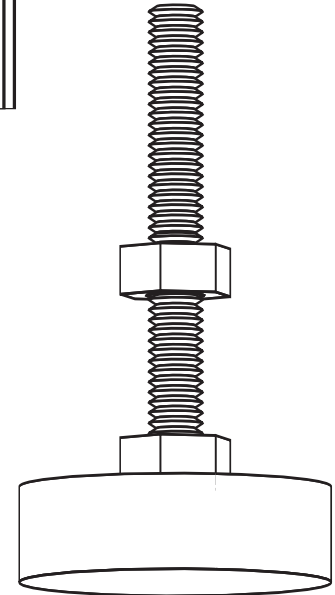
(400-035) - Wrench

10x

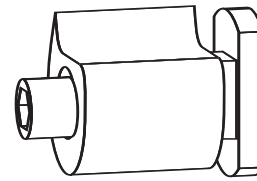


(300-470)
Washer

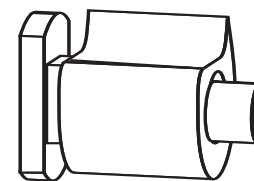
10x



(P-300-320) - Leveler Foot



(PHK-380)
Shelf Peg "A"
SQ20 - 12x
SQ30 - 16x



(PHK-370)
Shelf Peg "B"
SQ20 - 12x
SQ30 - 16x

1x



(P-400-040) - Level



Limited Warranty

For five full years Salamander Designs Ltd. will repair or replace, at our option, any product defective in materials or craftsmanship. Salamander Designs Ltd. will not be responsible for any damage to or destruction of other equipment consequential to our equipment failure. Defective product must be given Return Authorization and is to be returned to the factory prepaid, in the original carton and packing material. Any damage incurred in a shipment not in original packaging shall be the responsibility of the owner. Warranty repairs will be returned prepaid, via UPS within the continental U.S.A. only.

Salamander Designs Ltd. 800-535-5659

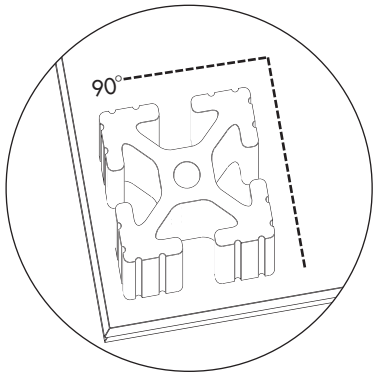
www.SalamanderDesigns.com

1 Connect Posts to Bottom Shelf

WARNING: Tighten by screwing the leveler foot NOT the post.

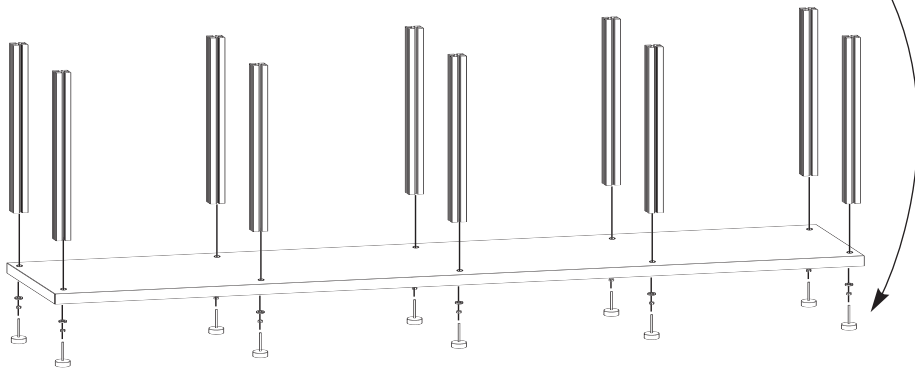
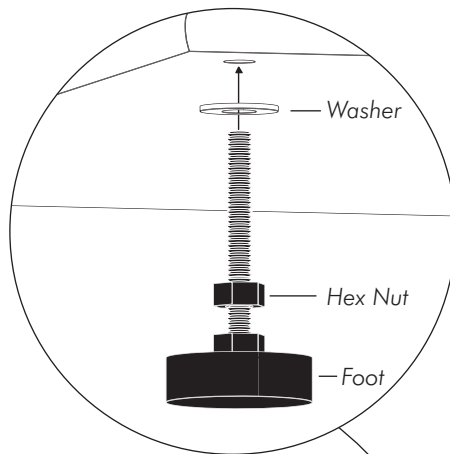
A. Square Post

Square the post to the bottom shelf.



B. Connect Post

Screw foot with metal washer through bottom shelf and onto the end of an extruded post. Hand tighten fully then use wrench on hex nut to tighten nut onto underside of shelf.



2 Add Shelves

WARNING: If you are installing an optional door or drawer refer to specific instructions before proceeding.

A.

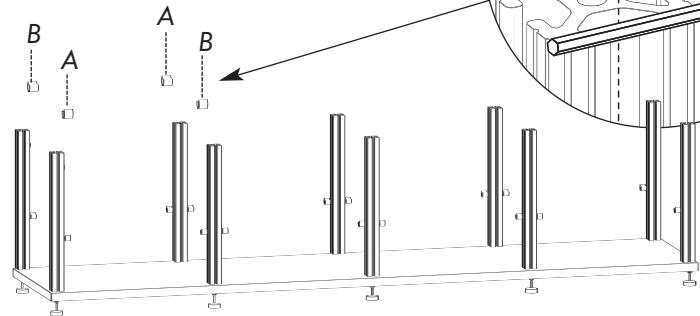
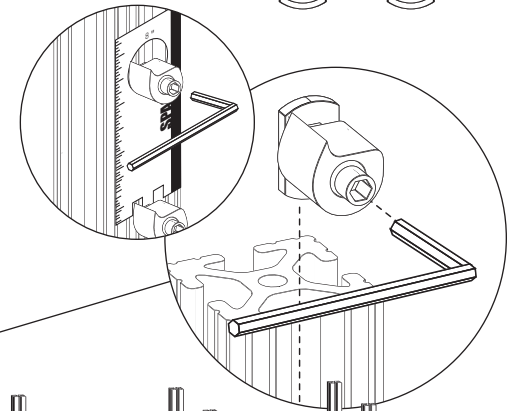
Insert shelf pegs down each post as shown.

Note: There are two sets of shelf pegs designed to cradle the shelves in place.



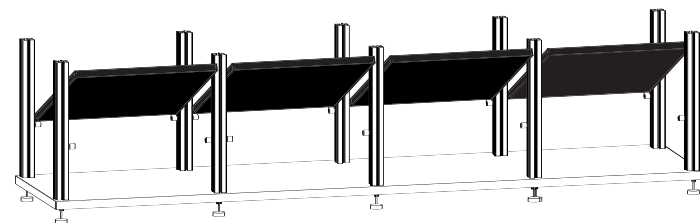
B.

Use the Spacer Tool to adjust spacing between shelves. Position the peg through the Spacer and tighten. Gently tighten pegs with the hex key to desired position.



C.

Place shelves from the bottom up. Angle the shelf in between the front post and set on top of shelf pegs.

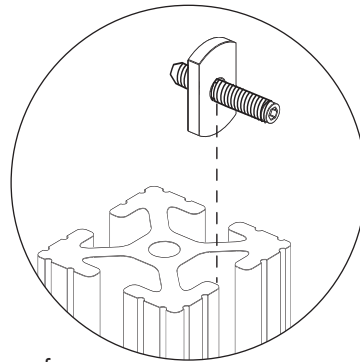
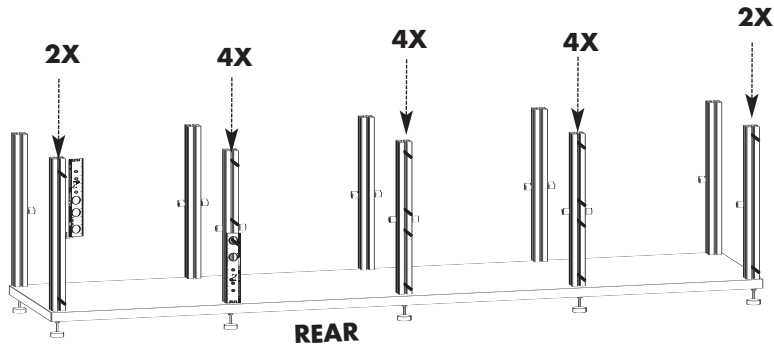


3 Attach Rear Panels

TIP
To ease installation of rear panels first remove any drawers and/or doors and gently place the unit face down on the floor to improve aligning of panels.

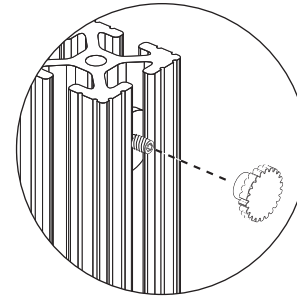
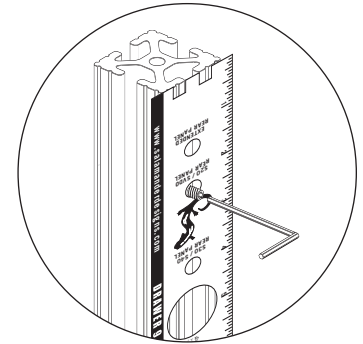
A. Insert Hardware

Combine the 1" threaded studs with the flat nuts. Slide 2 sets of hardware down the two outside posts and 4 sets down the three center posts. Allow studs to remain loose at bottom of post.



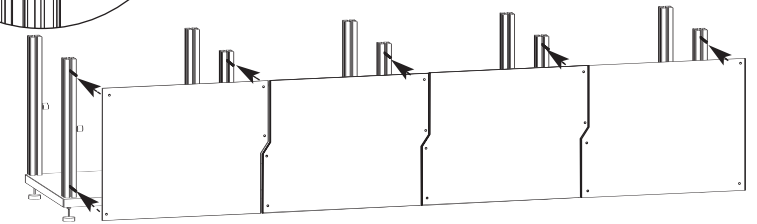
B. Position & Secure Studs

Align the Spacer Tool at the top of each post, then position top studs through the small "Rear Panel" hole. Repeat this step with the bottom studs aligning the Tool along the bottom of post to set spacing for cable passage. Use the hex key to secure the top and bottom studs to the posts.



C. Place Rear Panels

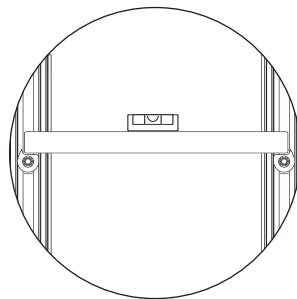
Secure each panel in place with thumb nuts.



4 Final Assembly

A. Fine Tuning

Use the bubble level to precisely adjust the shelves. Be sure to level both sides as well as front to back. Use the hex key to tighten each peg.



Side Panels

Before enclosing the unit with the top shelf install side panels (if applicable). See Side Panel Instructions.

B. Secure Top

Secure top with the 10 connector bolts to complete installation.

